

AT-350 and AL-425 Meters

Aluminumcase Meters AT-350, AL-425 10#
and AL-425 25#

Repair Parts



AT-350 Meter



AL-425 Meter

www.americanmeter.com

AMC Quality System

QMI is Accredited by:



ISO 9001 Certified
Certificate #006697



Dutch Council
for Accreditation

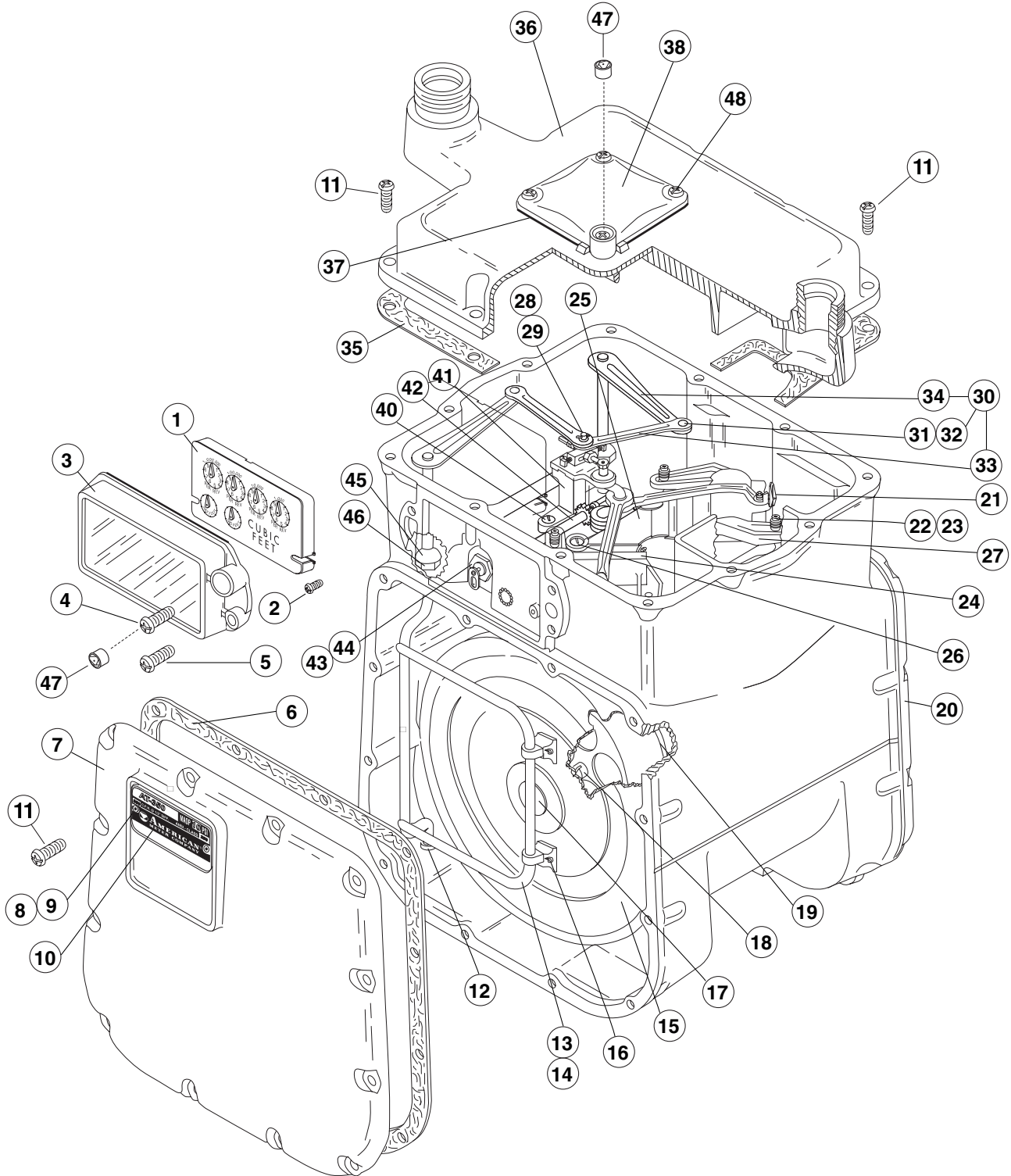


**AMERICAN
METER COMPANY**

Measurement Engineers Since 1836

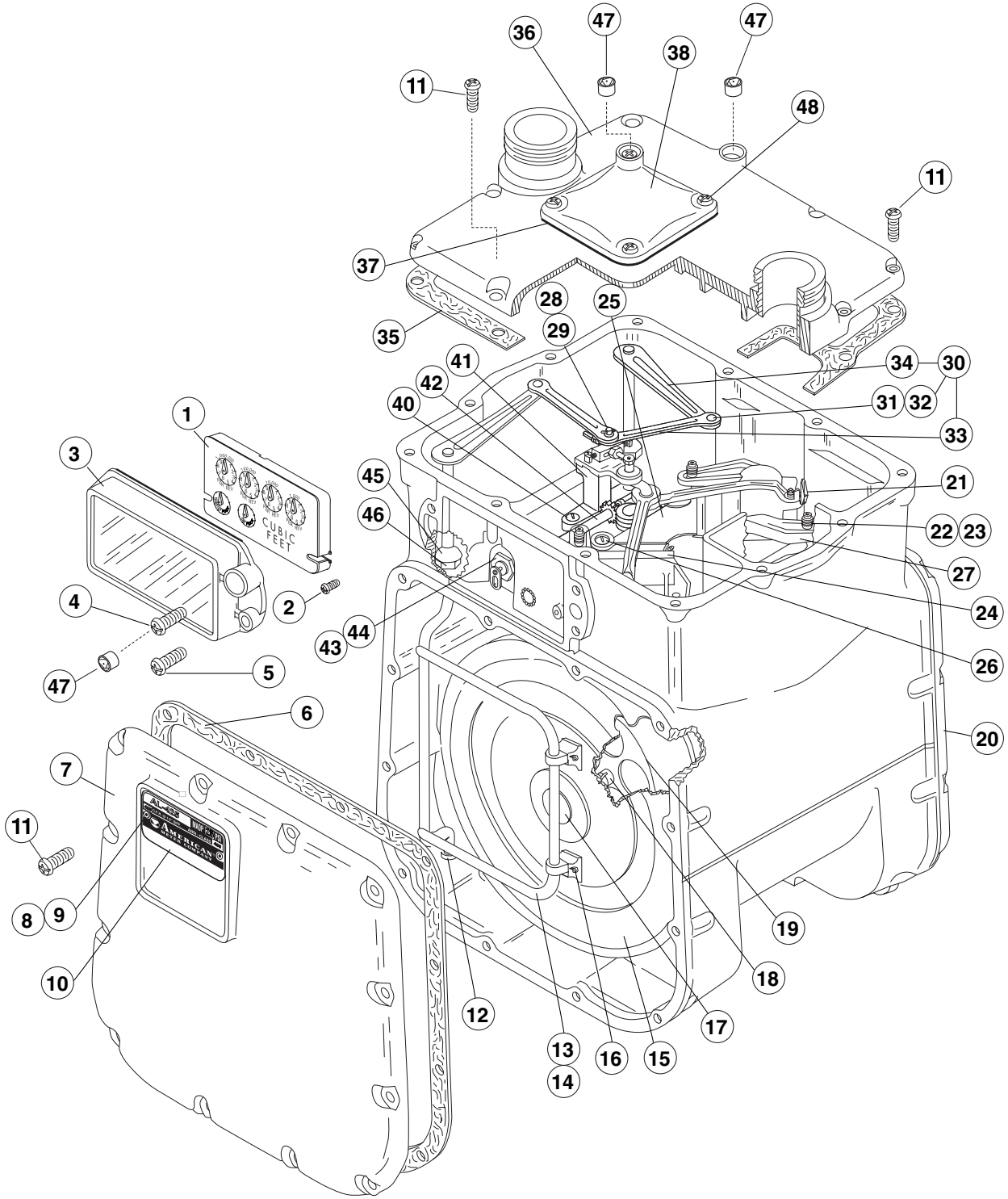
AT-350 and AL-425 Meters

Major Component Group AT-350 Aluminumcase Meters



AT-350 and AL-425 Meters

Major Component Group AL-425 Aluminumcase Meters



AT-350 and AL-425 Meters

Major Component Group

Item No.	Description				Qty. Per Unit	Part Number			
						Common To All Variations	Product Variations		
							AT-350	AL-425 10 psi	AL-425 25 psi
1	Indexes	2FT ³	Reg Read	w/ S.C.	1	04972G072			
				w/ S.C. & T.C.		04972G039			
			Odometer	w/ S.C.		54885G006			
		w/ S.C. & T.C.		54885G007					
		.05m ³	Odometer	w/o S.C.		52142G013			
				w/o S.C. & T.C.		52142G030			
2	Screw, Index; Rd. Hd.				2	43393P092 #8-32 x .25"			
3	Index Box	Vented			1	39865G052			
		Not Vented				39865G051			
4	Screw, Index Box; Fil. Hd., Sealing				1	10347P143 1/4"-20 x .59"			
5	Screw, Index Box; Combo Hd.				3	10347P174 1/4"-20 x .59"			
6	Gasket, Front & Back Cover				2		44276P001	44276P001	44276P002
7	Cover, Front				1	44304P001			
8	Rivet, Badge				A/R	94434P017			
9	Screw, Badge; Gulmite				A/R	55185P001 #4-40 x .16"			
10	Badge, Mfr.			Standard	1		49036G191	49036G015	49036G127
				T.C.			49036G326	49036G306	49036G312
11	Screw, Standard	#10	Top & Covers	Combo Hd.	36		10347P175	10347P175	
				Hex Hd.					16423P023
		#25	Top & Covers	Combo Hd.		2			
12	Bearing, Lower Flag Rod				2	44142P009			
13	Rod, Front Flag - Assembly				1	44274G001			
14	Rod, Back Flag - Assembly				1	44274G002			
15	Diaphragm, Universal Front & Back				2	42927G147			
16	Pin, Cotter; Diaphragm Bracket				4	11186P004			
17	Grommet, Diaphragm Disc				2	42981P001			
18	Screw, Diaphragm; Fil. Hd.				A/R	13348P263 5/16"-18 x .88"			
	Screw, Diaphragm; Whiz-Lock						52040P001 1/4"-20 x .38"	52040P001 1/4"-20 x .38"	52040P001 1/4"-20 x .38"
19	Gasket, Diaphragm Clamp				2	39610P096			

AT-350 and AL-425 Meters

Major Component Group

Item No.	Description			Qty. Per Units	Common To All Variations	Part Number		
						Product Variations		
						AT-350	AL-425 10 psi	AL-425 25 psi
20	Cover, Back			1	44269P001			
21	Fastener, Valve	Durafil Seat		4		92943P036	92943P036	92943P036
22	Guide, Valve			4	43796P004			
23	Pin, Valve Guide			4	12539P003			
24	Valve, Front			1	28873P022			
25	Seat, Valve			1	39451P054			
26	Screw, Valve Seat; Fil. Hd.			5	10347P004 1/4"-20 x .38"			
27	Valve, Back			1	28873P023			
28	Sleeve, Tangent			1	50993P002			
29	Pin, Tangent; Cotter			1	11186P036			
30	Arms, Flag Assy. (Includes Items #31 thru 34)	Acetal	SST Brg.	2	17550G062			
31	Sleeve, Flag Arm		SST	2		55724P005		
32	Rivet			2	50657P001			
33	Arm, Short Flag		Acetal	2	28736P006			
34	Arm, Long Flag			2	03743P021			
35	Gasket, Top			1		44275P001	44275P001	44275P002
36	Top	3/4"-10 LT		1		44272G021		
		1"-20 LT					44272G009	44272G009
		1-1/4"-30 LT					44272G018	44272G018
		1-1/2"-45 LT					44272G007	44272G007
		#3-4 Sprague					44272G011	44272G011
37	Gasket, Handhole Cover			1	44320P012			
38	Cover, Handhole			1	46583P019			
39	Screw, Drilled Sealing	Top	Fil. Hd.	1		10347P103	10347P103	
		Top	Hex Hd.	1				16423P024
40	Screw, Crank Frame; Rd. Hd.			2	13519P055 1/4"-20 x .50"			
41	Crank & Tangent Assembly			1	See Page 4			
42	Axle & Wheel		2FT ³	1	44661P006			
			.05m ³		44661P019			
43	Box, Axle - Assembly (Includes Item #44)		2FT ³	1	42986G023			
			.05m ³		42986G022			
44	Seal, Axle Box			1	42984P001			
45	Seal, Flag Box			2	42984P008			
46	Box, Flag			2	39624P020			
47	Seal, Security		Index Box	2		52548P010	52548P010	52548P010
			Top	A/R			52548P010	52548P010

AT-350 and AL-425 Meters

Major Component Group

Item No.	Description		Qty. Per Units	Common To All Variations	Part Number			
					Product Variations			
					AT-350	AL-425 10 psi	AL-425 25 psi	
48	Screw, Handhole Cover	Old Style H.H.C. Die Cast (Thk.) 46583P008	Fil. Hd. w/o seal wire	4		* 10347P102 1/4"-20 x .75"	* 10347P102 1/4"-20 x .75"	
			Hex Hd. w/o seal wire	4				16423P023 1/4"-20 x .75"
			Fil. Hd. w/ seal wire	3		* 10347P102 1/4"-20 x .75"	* 10347P102 1/4"-20 x .75"	
			Fil. Hd. (Drilled) w/ seal wire	1		10347P103 1/4"-20 x .75"	10347P103 1/4"-20 x .75"	
			Hex Hd. w/ seal wire	3				16423P023 1/4"-20 x .75"
			Hex Hd. (Drilled) w/ seal wire	1				16423P024 1/4"-20 x .75"
		Old Style H.H.C. Stamped Alum. 46583G002	Fil. Hd. w/ security seal	4		** 10347P007 1/4"-20 x .62"	** 10347P007 1/4"-20 x .62"	
				1				** 10347P007 1/4"-20 x .62"
			Hex Hd. w/ security seal	3				16423P043 1/4"-20 x .62"
			Fil. Hd. w/ security seal	3		** 10347P007 1/4"-20 x .62"	** 10347P007 1/4"-20 x .62"	
				1				** 10347P007 1/4"-20 x .62"
			Fil. Hd. (Drilled) w/ seal wire	1		10347P030 1/4"-20 x .62"	10347P030 1/4"-20 x .62"	
		Hex Hd. (Drilled) w/ seal wire	1				16423P044 1/4"-20 x .62"	
	<p>* 10347P175 Combo-Hd. 1/4"-20 x .75" screw can be substituted for 10347P102 Fil.-Hd. 1/4"-20 x .75" screw. ** 10347P173 Combo-Hd. 1/4"-20 x .62" screw can be substituted for 10347P007 Fil.-Hd. 1/4"-20 x .62" screw.</p>							

AT-350 and AL-425 Meters

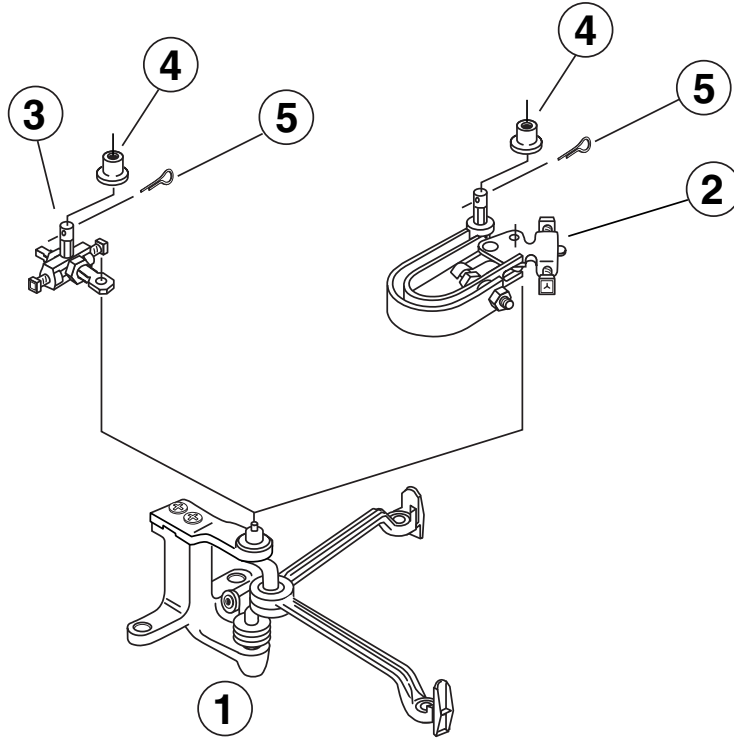
Major Component Group

Item No.	Description		Qty. Per Units	Common To All Variations	Part Number				
					Product Variations				
					AT-350	AL-425 10 psi	AL-425 25 psi		
48 cont.	Screw, Handhole Cover	New Style H.H.C. w/ Short Bosses on Top 46583P019	Fil. Hd. w/ security seal	4		** 10347P007 1/4"-20 x .62"	** 10347P007 1/4"-20 x .62"		
				1				** 10347P007 1/4"-20 x .62"	
			Hex Hd. w/ security seal	4					16423P043 1/4"-20 x .62"
			Fil Hd. w/ seal wire	3		** 10347P007 1/4"-20 x .62"	** 10347P007 1/4"-20 x .62"		
				1				** 10347P007 1/4"-20 x .62"	
			Fil. Hd. (Drilled) w/ seal wire	1		10347P030 1/4"-20 x .62"	10347P030 1/4"-20 x .62"		
			Hex Hd. w/ seal wire	2					16423P043 1/4"-20 x .62"
			Hex Hd. (Drilled) w/ seal wire	1					16423P044 1/4"-20 x .62"
			New Style H.H.C. Die Cast w/ Longer Bosses on Top 46583P019	Combo Hd. w/ security seal	4		10347P175 1/4"-20 x .75"	10347P175 1/4"-20 x .75"	
				1				10347P175 1/4"-20 x .75"	
		Hex Hd. w/ security seal		3					16423P023 1/4"-20 x .75"
		Combo Hd. w/ seal wire		3		10347P175 1/4"-20 x .75"	10347P175 1/4"-20 x .75"		
				1				10347P175 1/4"-20 x .75"	
		Fil. Hd. (Drilled) w/ seal wire		1		10347P103 1/4"-20 x .75"	10347P103 1/4"-20 x .75"		
		Hex Hd. w/ seal wire		2					16423P024 1/4"-20 x .75"
		Hex Hd. (Drilled) w/ seal wire		1					16423P024 1/4"-20 x .75"

* 10347P175 Combo-Hd. 1/4"-20 x .75" screw can be substituted for 10347P102 Fil.-Hd. 1/4"-20 x .75" screw.
 ** 10347P173 Combo-Hd. 1/4"-20 x .62" screw can be substituted for 10347P007 Fil.-Hd. 1/4"-20 x .62" screw.

AT-350 and AL-425 Meters

Major Component Group Crank, Crank Frame and Tangent Assemblies



Major Component Group Crank, Crank Frame and Tangent Assemblies

Item No.	Description				Qty. Per Unit	Part Number			
						Common To All Variations	Product Variations		
							AT-350	AL-425 10 psi	AL-425 25 psi
1	Crank, Frame & Tangent Assembly (Includes Items #2 thru 5)	2 FT3	Reg. Tan.	SST Brg.	1	25276G139			
			T.C. Tan.	SST Brg.		25276G140			
		.05m3	Reg. Tan.	SST Brg.		25276G145			
			T.C. Tan.	SST Brg.		25276G146			
2	Tangent, Temp. Comp.				1	43631G002			
3	Tangent, Adjust. Assembly		w/ Octagon Post		1	17305G039			
4	Sleeve, Tangent		w/ Octagon Post		1	50993P002			
5	Pin, Tangent; Cotter				1	11186P036			

Due to continuous development the information in this document is subject to change.



AMERICAN METER

300 Welsh Road, Building One • Horsham, PA 19044-2234 • USA • Tel: (215) 830-1800 • Fax: (215) 830-1890



CANADIAN METER

3037 Derry Road, West • Milton, Ontario L9T 2X6 • Canada • Tel: (905) 878-2361 • Fax: (905) 878-5758

ELSTER AMCO