

Repair Parts List

AL 1400

June, 1992

**AMERICAN
AL 1400
Aluminumcase Meter**



**AMERICAN
METER COMPANY**

Measurement Engineers Since 1836

Overall Assembly

RPL 3808A

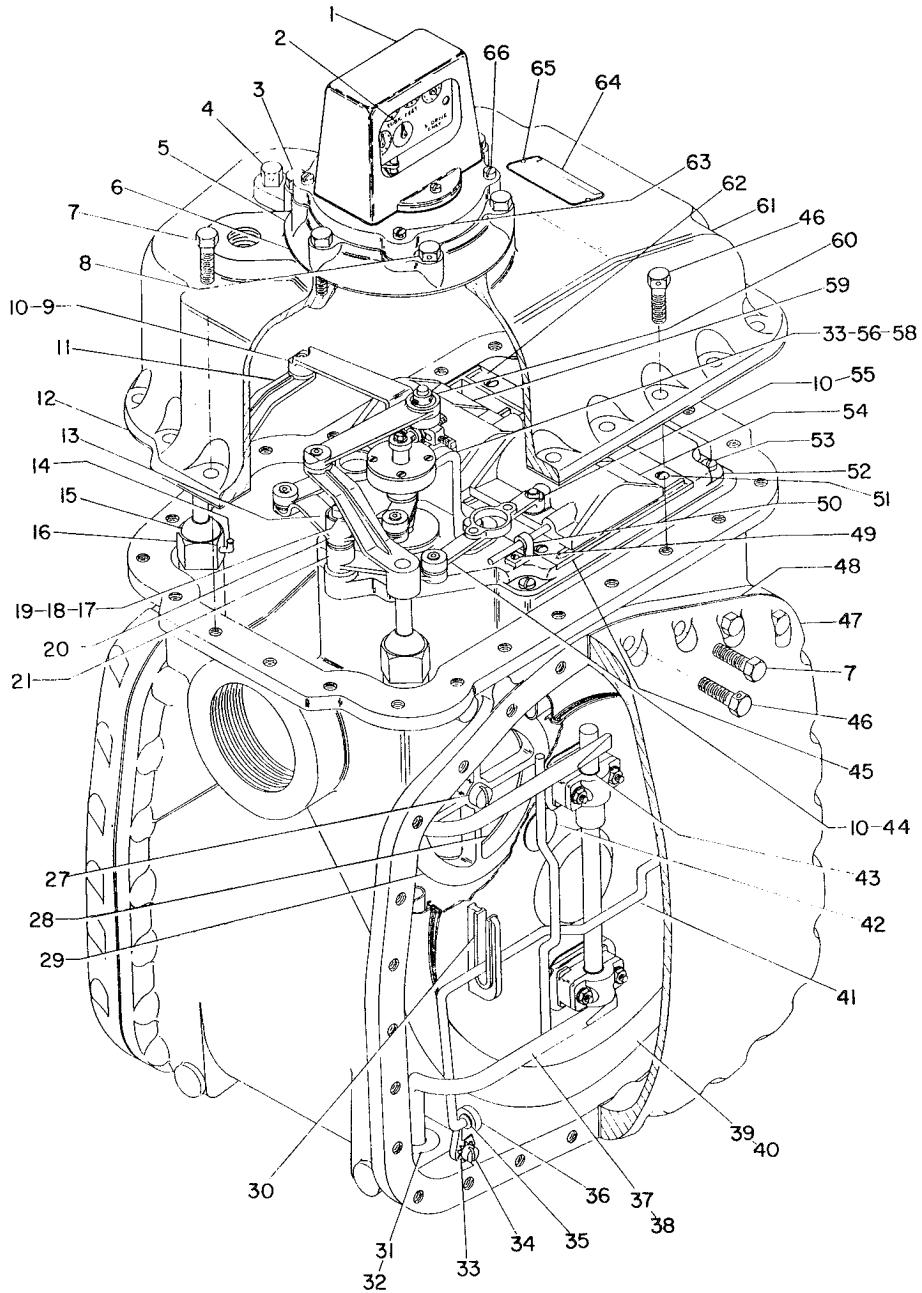


Figure 1

Overall Assembly

RPL 3808A

ITEM NO.	DESCRIPTION	QTY PER UNIT	COMMON TO ALL VARIATIONS	PART NUMBER		UNITS USED IN S/N OR MFG DATE		PRODUCT SERIAL NUMBER		
				PRODUCT VARIATIONS		FROM	TO			
2	Indexes	1	RPL-300 (3800)	Regular Read	Standard					
					TC					
				5 ft ³	Odometer	Standard	09789G040			
					(5'6 Circle)	TC	09789G102			
					Odometer	Standard	52274G001			
					(5'5 Circle)	TC	52274G002			
					Odometer	Standard	52319G001			
					(5'5 Circle)	TC	52319G002			
					Regular Read	Standard	42961G015			
						TC	42961G043			
				10 ft ³	Odometer	Standard	52210G002			
					(10'6 Circle)	TC	52210G011			
					Odometer	Standard	52320G001			
					(10'5 Circle)	TC	52320G002			
				0.1 m ³	Regular Read		54882G001			
Odometer		52170G002								
	Specials									
3	Screw, Hex Head	4	11635P037							
			3/8"-16x1.50"							
4	Plug, Pipe	1	11970P003							
5	Plate, Handhole	1	Figure 2							
6	Gasket, Handhole	1	41477P026							
7	Screw - Hex Head	70	11635P035							
			3/8"-16x1.25"							
8	Screw, Hex Head Sealing	2	11635P038							
			3/8"-16x1.50"							
9	Arm, Short Flag — Back	1	17358G046							
10	Pin, Cotter	7	11186P021							
11	Arm, Long Flag	2	44101G004							
12	Gasket, Top	1	56114P001							
13	Retainer, Bell Crank	1	Ring		4/71					
			Cotter Pin			4/71				
14	Cup, Oil	2	12297G003							
15	Seal, Flag Box	2	42984P021							
16	Box, Flag Assembly	2	38932G034							
17	Pin, Bell Crank	1	Slotted Top		4/71					
			Drilled Top			4/71				
18	Washer	1	39738P003			4/71				
19	Nut, Hex	1	22032P038			4/71				
20	Crank, Bell - Top	1	17356G042		6/70					
21	Crank, Bell - Bottom	1	17356G041		6/70					
27	Screw, Fil. Head	2	13348P140							
			7/16"-14x1.38"							
28	Gasket, Diaphragm Clamp	2	39610P097							
29	Clamp, Diaphragm	2	29061P012							
30	Bearing, Disk Guide	4	50983P002							
31	Bearing		Ball							
			Roller							
			56085G016							
			02872G002							

See Figure 1.

Overall Assembly

RPL 3808A

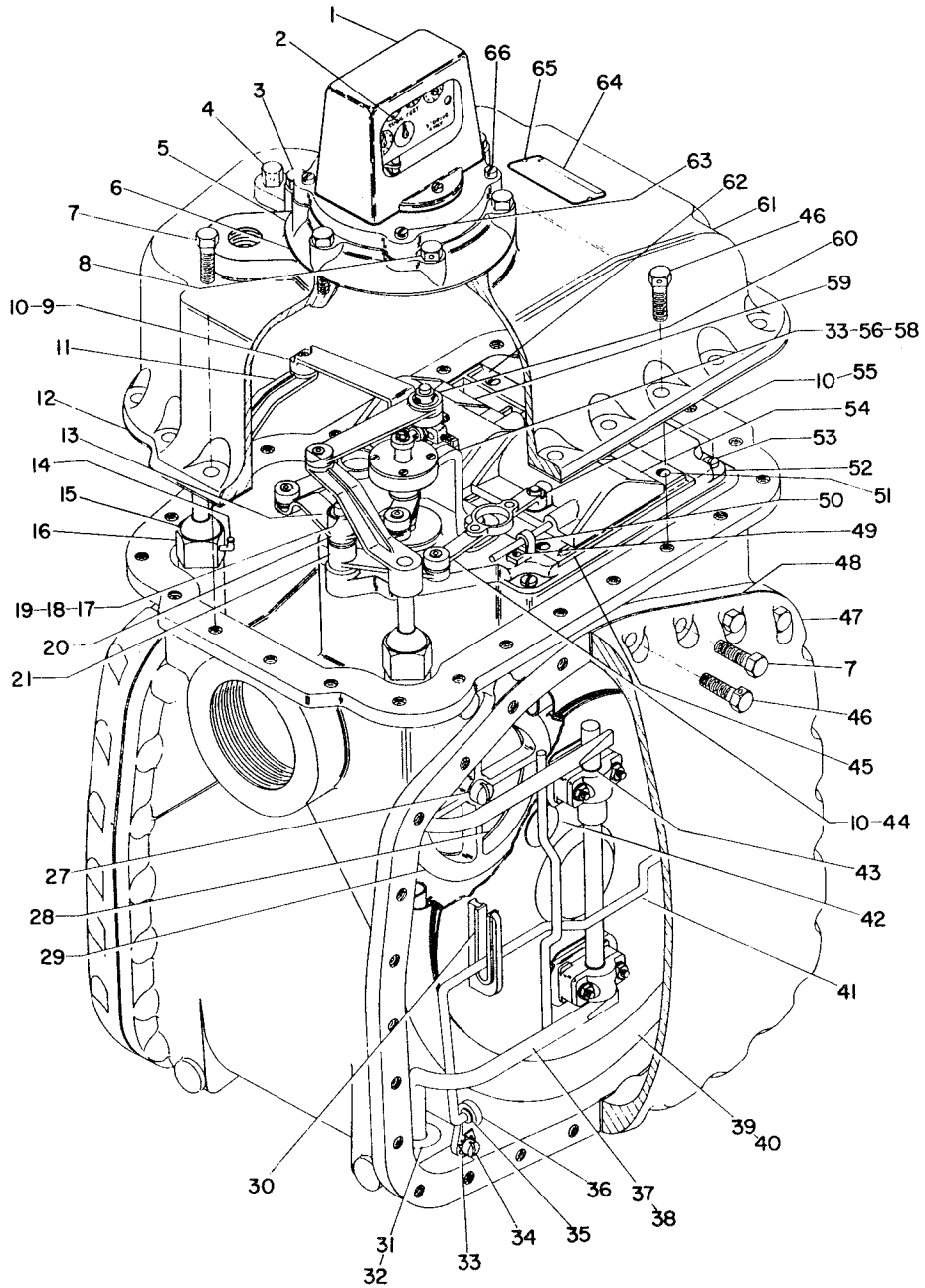


Figure 1

Overall Assembly

RPL 3808A

ITEM NO.	DESCRIPTION	QTY PER UNIT	COMMON TO ALL VARIATIONS	PART NUMBER		UNITS USED IN S/N OR MFG DATE		PRODUCT SERIAL NUMBER	
				PRODUCT VARIATIONS		FROM	TO		
32	Retainer			Use with Ball Bearing	92943P032		2/60		
				Use with Roller Bearing	56219P002		2/64		
33	Washer	6	33245P003	39738P003					
34	Screw, Fil. Head				13348P149				
				4	5/16"-18x0.56"				
35	Washer	4	02141P037						
36	Bearing, Guide Wire	4	17585P034						
37	Rod, Flag - Front	1	56110G003						
38	Rod, Flag - Back	1	56110G004						
39	Diaphragm, Duramic - Front	D-7	42927A075						
40	Diaphragm, Duramic - Back	D-7	42927A077						
41	Wire, Guide	2	50053P022						
42	Grommet, Diaphragm Disk	2	42981P001						
43	Bushing - Split	4	44310P002						
44	Arm, Valve	2	17318G019						
45	Seat, Valve Front	1		Durafil	39451P065		12/77		
				White Metal	Tapped Bell Crank Pin Hole	39451K002		12/77	
					Through Bell Crank Pin Hole	39451K002		4/71	
46	Gasket, Hex Head Sealing	6	11635P036						
			3/8"-16x1.25"						
47	Cover, Front and Back	2	56108P001						
48	Gasket, Cover	2	56109P001						
49	Screw, Round Head	4			13519P023				
					# 6-32x0.38"				
50	Guide, Valve	4	43597P001						
51	Screw, Round Head	8			13519P060		12/77		
					# 10-32x0.50"				
52	Base, Valve Seat	1	44373P004				12/77		
53	Screw, Fil. Head	10		Aluminum Base	10347P007		12/77		
					1/4"-20x0.62"				
				White Metal Base	10347P102		12/77		
					1/4"-20x0.75"				
54	Valve, Front	1		Durafil Wrist	28873G057		10/71		
				Cast-in Wrist	NA		10/71		
55	Retainer			Durafil Wrist	92943P051		10/71		
				Cast-in Wrist	11186P021		10/71		

See Figure 1.

Overall Assembly

RPL 3808A

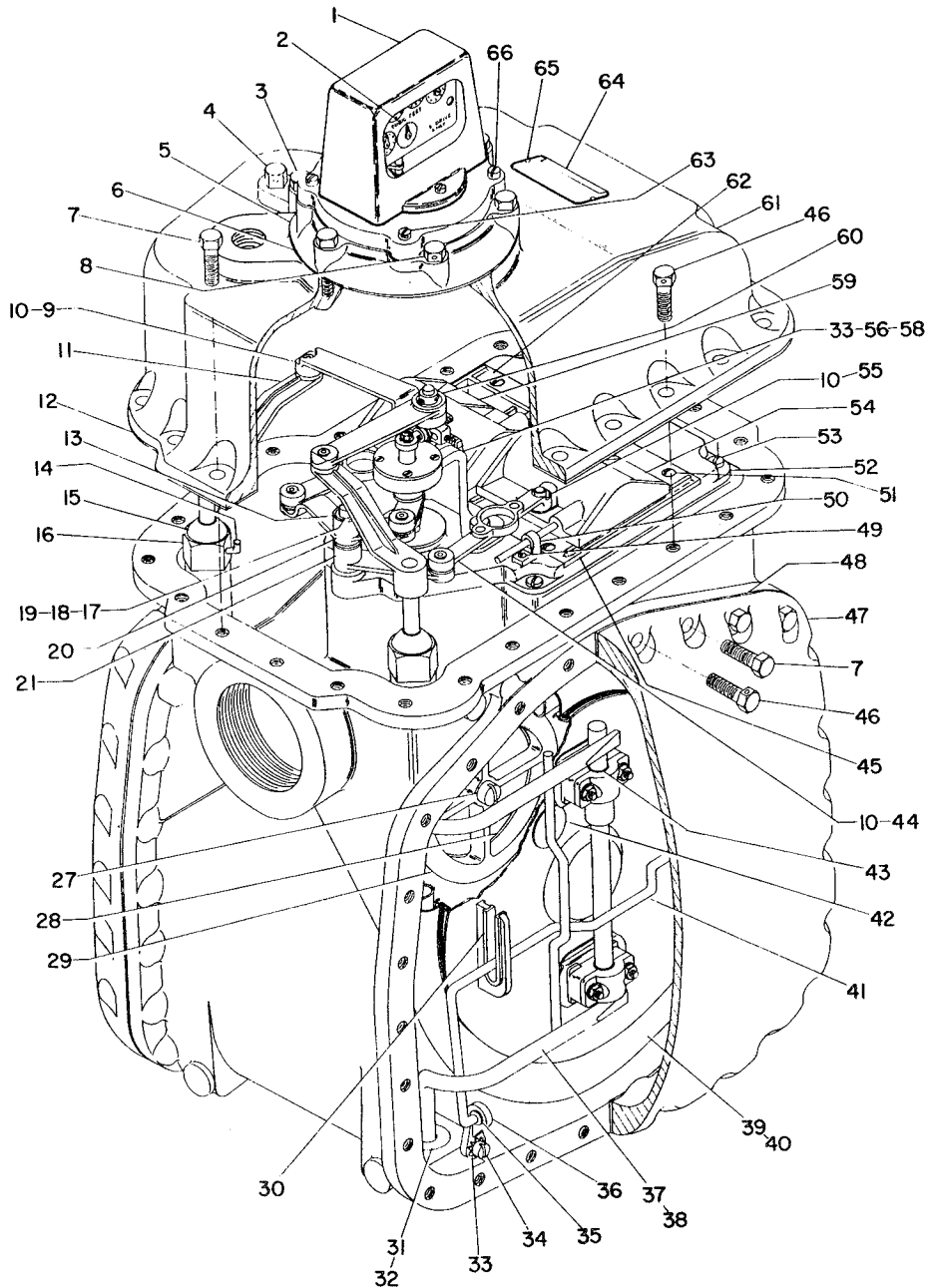


Figure 1

Overall Assembly

RPL 3808A

ITEM NO.	DESCRIPTION	QTY PER UNIT	COMMON TO ALL VARIATIONS	PART NUMBER		UNITS USED IN S/N OR MFG DATE		PRODUCT SERIAL NUMBER
				PRODUCT VARIATIONS		FROM	TO	
56	Crank, Crank Frame and Tangent	1	Figure 3					
58	Screw, Hex Head	2	12369P019 5/16"-18x0.75"					
59	Valve, Back	1	Durafil Wrist 28873G058			10/71		
			Cast-in Wrist 28873K002				10/71	
60	Arm, Short Flag - Front	1	17358G043					
61	Top	Press. Top	Rear	56113P001				
			Front and Rear	56113P002				
			R. w/ 1" Thermo.	56113P003				
			F. & R. w/ 1" Thermo.	56113P004				
			F. & R. w/ 3/4" Thermo.	56113P006				
			F. & R. w/ 3/4" Thermo	56113P007				
62	Seat, Valve - Back	White Metal	Durafil	39451P064		12/77		
			Bell Crank Pin Hole-Tapped	NA			12/77	
			Bell Crank Pin, Thru-Hole	NA				12/77
63	Screw, Fil. Head - Sealing	2	10347P061 # 18-18x0.88"					
64	Badge, Mfg.	Standard	49036P058					
		Metric	49036P088					
65	Screw, Drive	2	02197P001					
			# 4x0.19"					
66	Screw, Fil. Head	2	10347P060					
			# 18-18x0.88"					

See Figure 1.

Handhole Plate Assemblies

RPL 3808A

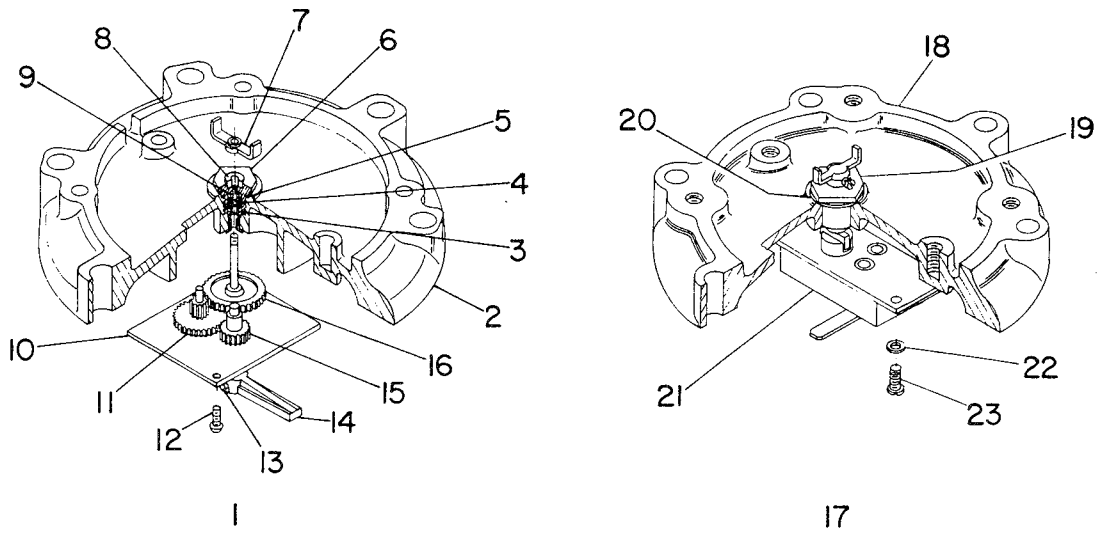


Figure 2

Handhole Plate Assemblies

RPL 3808A

ITEM NO.	DESCRIPTION	QTY PER UNIT	COMMON TO ALL VARIATIONS	PART NUMBER				UNITS USED IN S/N OR MFG DATE		PRODUCT SERIAL NUMBER
				PRODUCT VARIATIONS				FROM	TO	
1	Plate, Handle Assembly (Includes Items 2-16)	1		5 ft ³				2/74		
				10 ft ³				2/74		
				0.1 m ³				2/74		
2	Plate, Handhole	1		5 ft ³						
				10 ft ³						
				0.1 m ³						
3	Spring	1		20104P118						
4	Ferrule	1		37594P001						
5	Washer	1		59050P014						
6	Cap	1		58010P019						
7	Wiggler	1		16233P007						
8	Bushing	1		31609P039						
9	Packing, Fluoroplastic	1		37593P001						
10	Plate, Lower Assembly	1		5 ft ³						
				100 ft ³						
				0.1 m ³						
11	Pinion, Intermediate	1		5 & 10 ft ³ - 8T/32T						
				0.1 m ³ - 13T/20T						
12	Screw, Round Head	2		39314P013						
				# 4-40x0.31"						
13	Pin, Spiral			43435P022						
14	Bar, Driving			18271P012						
15	Pinion - Initial	1		5 ft ³ - 20T						
				10 ft ³ - 10T						
				0.1 m ³ - 12T						
16	Shaft - Output	1		5 & 10 ft ³ - 35T						
				0.1 m ³ - 39T						
17	Plate, Handhole Assembly	1		5 ft ³		NA		2/74		
				10 ft ³		NA		2/74		
				0.1 m ³		NA		2/74		
18	Plate, Handhole	1		5 ft ³		NA		2/74		
				10 ft ³		NA		2/74		
				0.1 m ³		NA		2/74		
19	Box Axle - Assembly	1		38689G018						
20	Washer	1		25456P002						
21	Undergear Assembly	1		5 ft ³						
				10 ft ³						
				0.1 m ³						
22	Washer	3		44099P003						
23	Screw, Round Head	3		13519P030						
				# 8-32x0.31"						

See Figure 2.

Crank, Crank Frame and Tangent Assemblies

RPL 3808A

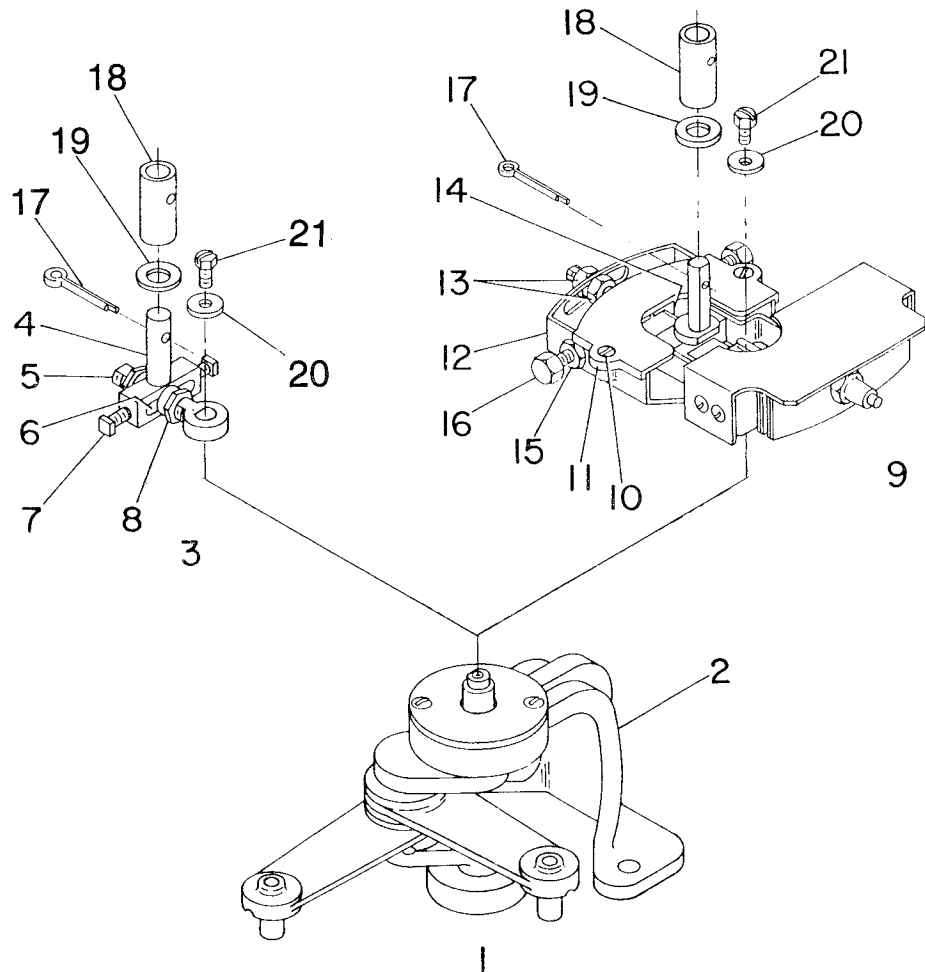


Figure 3

Crank, Crank Frame and Tangent Assemblies

RPL 3808A

ITEM NO.	DESCRIPTION	QTY PER UNIT	COMMON TO ALL VARIATIONS	PART NUMBER				UNITS USED IN S/N OR MFG DATE		PRODUCT SERIAL NUMBER
				PRODUCT VARIATIONS				FROM	TO	
1	Crank, Crank Frame Regular and Tangent	1		25050G047						
					25050G050					
2	Crank and Crank Frame & Bearings	1	25050G068							
3	Tangent, Adjustable — Assembly (Includes Items 4-8)	1		41191G029						
4	Wrist, Tangent	1		16286P028						
5	Arm, Tangent	1		13642P021						
6	Shoe, Tangent	2		12574P003						
7	Screw, Tangent	2		12575P001						
8	Nut, Tangent	2		16888P015						
9	Tangent, Temp. Comp. (Includes Items 10-19)	1			56035G004					
10	Screw, Flat Head	2			02651P015					
					# 6.32x0.25"					
11	Cover	1			50991P003					
12	Case	1			50990P003					
13	Nut, Hex	2			50996P002					
					1/4"-20					
14	Shoe, Tangent	2			12574P006					
15	Locknut	2			56022P003					
					# 10-32					
16	Screw, Adjusting	2			50999P002					
17	Pin, Cotter	1	11186P021							
18	Bushing, Tangent	1	10956P038							
19	Washer, Tangent	1	43250P003							
20	Washer	2	13981P016							
21	Screw, Hex Head	1		37394P023						
				# 8-32x0.38						

See Figure 3.



Measurement Engineers Since 1836



AMERICAN METER
300 Welsh Road, Building One
Horsham, PA 19044-2234
Tel: (215) 830-1800
Fax: (215) 830-1890
www.americanmeter.com



CANADIAN METER
3037 Derry Road, West
Milton, Ontario, L9T 2X6
Tel: (905) 878-2361
Fax: (905) 878-5758