

# Repair Parts List

## AL 5000

**AMERICAN  
AL 5000  
Aluminumcase Meter**



**AMERICAN  
METER COMPANY**

*Measurement Engineers Since 1836*

Overall Assembly

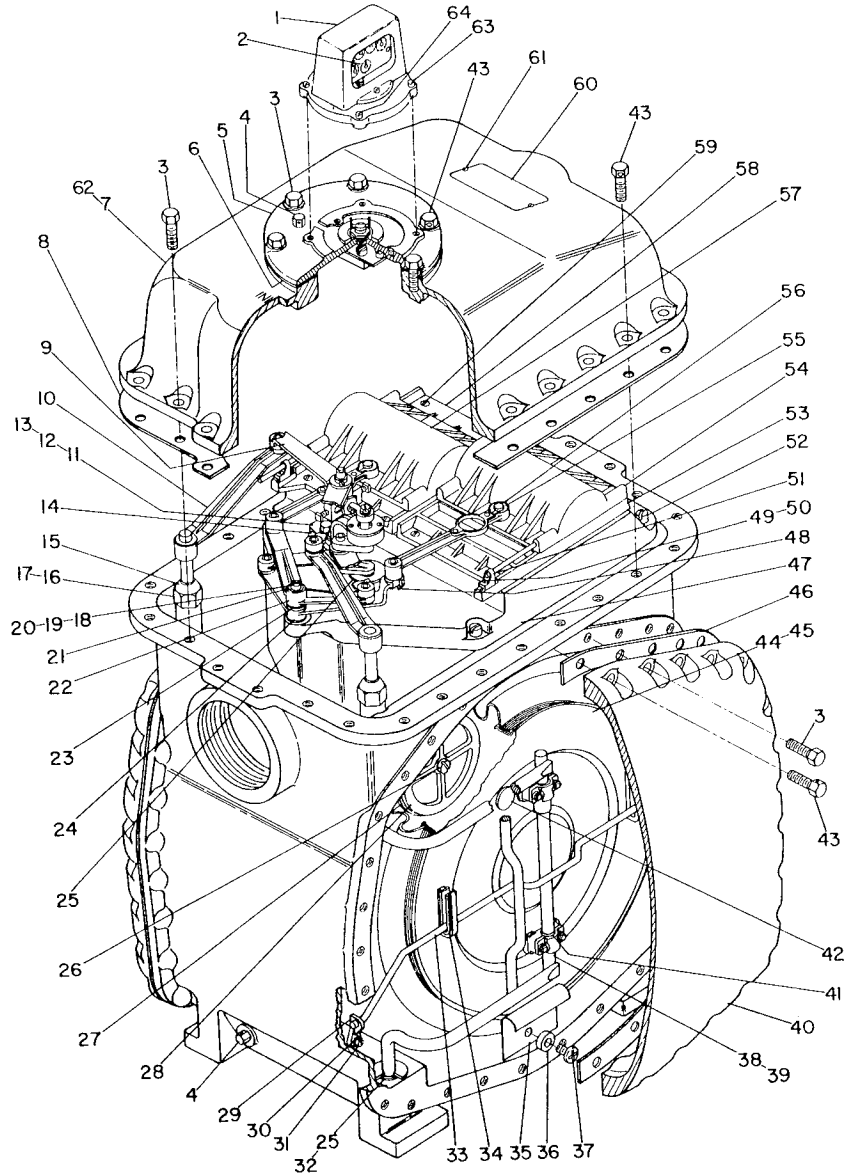


Figure 1

# Repair Parts List

AL 5000  
Aluminumcase Meter

## Overall Assembly

ITEM NO.	DESCRIPTION		QTY PER UNIT	COMMON TO ALL VARIATIONS	PART NUMBER		UNITS USED IN S/N OR MFG DATE		PRODUCT SERIAL NUMBER	
					PRODUCT VARIATIONS		FROM	TO		
1	Index Box & Base Plate		1	RPL-3801 (RPL-300B)						
2	Indexes	Regular Read	Standard	1	42961G015					
			TC		42961G043					
		10 ft3	Odometer		Standard	52210G002				
			(10'6 Circle)		TC	52210G011				
		Odometer	Standard		52320G001					
			(10'5 Circle)		TC	52320G002				
		100 ft3	Regular Read		Standard	52211G002				
			TC							
		Odometer	Standard		52211G002					
			(100'6 Circle)		TC	52211G011				
		0.1 m3	Regular Read			54882G001				
			Odometer			52170G002				
		1.0 m3	Regular Read			54883G001				
			Odometer			52171G002				
Specials			RPL-3800 (RPL-300)							
3	Screw, Hex Head		90	58675P042						
				1/2"-13x1.50"						
4	Plug, Pipe		3	11970P003						
5	Plate, Handhole		1	Figure 2						
6	Gasket, Handhole Plate		1	01122P048						
7	Top	without Thermowell	1	442325P001						
		3/4" Thermowell		442325P004						
		1" Thermowell		442325P002						
8	Gasket, Top		1	44338P001						
9	Arm, Short Flag — Back			17358G044						
10	Arm, Long Flag Assembly	0.625 Diameter Flag Rod	2	44101G002						
		0.750 Diameter Flag Rod		44101G009						
11	Crank, Crank Frame & Tangent		1	Figure 3						
12	Screw, Hex Head, Sealing		2	11635P053						
				3/8"-16x0.88"						
13	Lockwasher		2	33245P002						
14	Arm, Short Flag — Front		1	17358G005						
15	Seal, Flag Rod	0.625 Diameter Flag Rod	2	42984P019						
		0.750 Diameter Flag Rod		42984P026						
16	Box, Flag Assembly	0.625 Diameter Flag Rod	2	38932G023						
		0.750 Diameter Flag Rod		38932G043						
17	Cup, Oil		2	12297G003						
18	Pin, Bell Crank	A	1	11094P020						
		B		with items # 19 & 20	11094P009					
19	Lockwasher — with items 18B, 20, 21B and 47B		1	39738P003						
20	Nut, Hex — with items 18B, 19, 21B and 47B		1	22032P038						

See Figure 1.

Overall Assembly

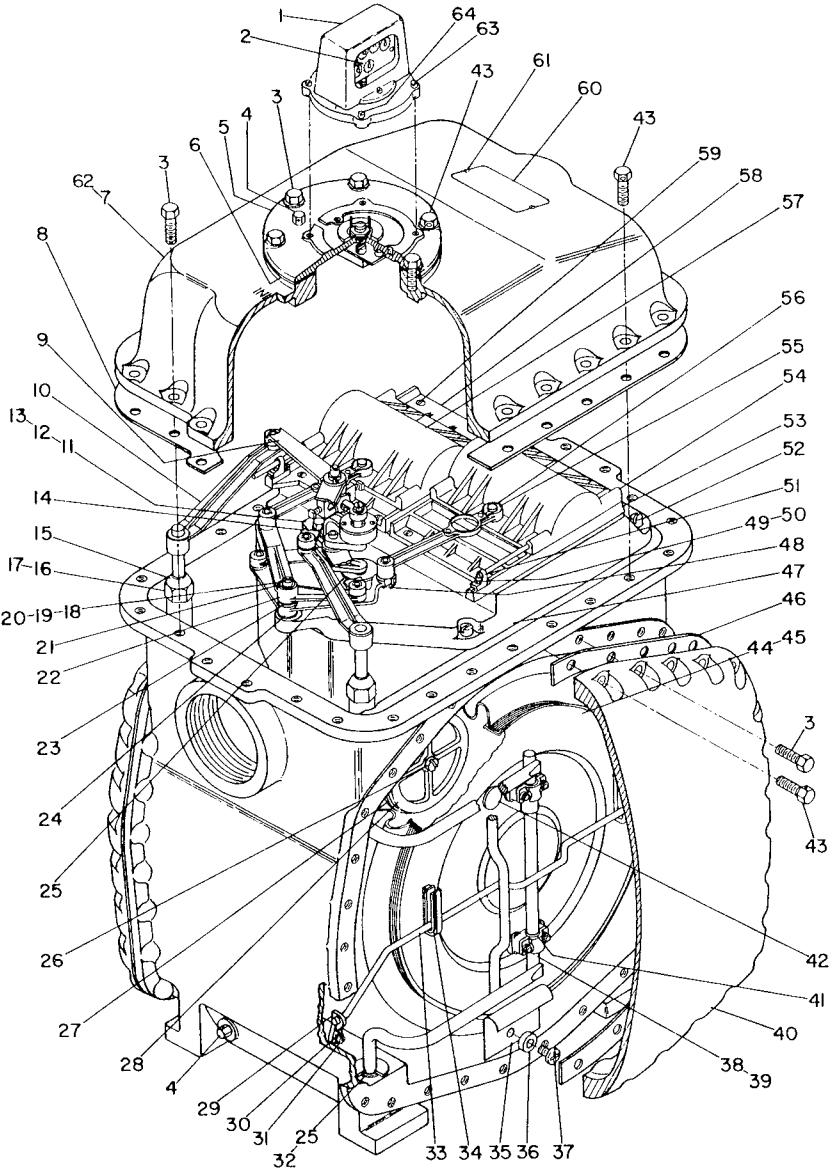


Figure 1

## Overall Assembly

ITEM NO.	DESCRIPTION	QTY PER UNIT	COMMON TO ALL VARIATIONS	PART NUMBER				UNITS USED IN S/N OR MFG DATE		PRODUCT SERIAL NUMBER
				PRODUCT VARIATIONS				FROM	TO	
21	Retainer, Bell Crank Pin	1	92943P061							
				B — w/item # 18B	11186P011					
22	Crank, Bell — Top	1	17356G020							
23	Washer	1	17614P041							
24	Crank, Bell — Bottom	1	17356G019							
25	Bearing, Crank and Flag Rod	3	56085G016							
26	Screw, Fil Head	2	13348P135							
				7/16"-14x2.00"						
27	Gasket, Diaphragm Clamp	2	39610P097							
28	Clamp, Diaphragm	2	29061P012							
29	Bearing, Guide Wire	4	17585P033							
30	Lockwasher	4	33245P001							
31	Screw, Fil Head	4	13348P032							
				5/16"-18x0.75"						
32	Retainer, Ring — Use with item # 25	2	92943P032							
33	Wire Guide	2	50053P004							
34	Bearing, Disc Guide	4	50983P001							
35	Shield, Diaphragm	2	88857P005							
36	Washer	2	13981P033							
37	Screw, Pan Head	2	43393P024							
38	Rod, Front Flag Assembly	1	44316G001	0.625 Diam. Flag Rod						
				0.750 Diam. Flag Rod	44316G003					
39	Rod, Back Flag Assembly	1	44316G002	0.625 Diam. Flag Rod						
				0.750 Diam. Flag Rod	44316G004					
40	Cover, Front and Back	2	44322P001							
41	Bushing, Flag Rod	4	44310P001							
42	Grommet, Diaphragm Disc	2	42981P001							
43	Screw, Hex Head — Sealing	8	58675P043							
				1/2"-13x1.50"						
44	Diaphragm Front (Includes # 33, 48 & 49)	1	42927A086	D-7B Standard						
45	Diaphragm Back (Includes # 33, 48 & 49)	1	42927A087	D-7B Standard						
46	Gasket, Front and Back Cover	2	44339P001							
47	Base, Valve Seat	1	44324P003	A — w/Th'd Hole						
				B — w/Thru Hole	44324K001					
48	Pin, Cotter	1	11186P011							
49	Screw, Round Head	4	13519P202	Durafil Valve Seat						
				# 6-32x0.62"						

See Figure 1.

Overall Assembly

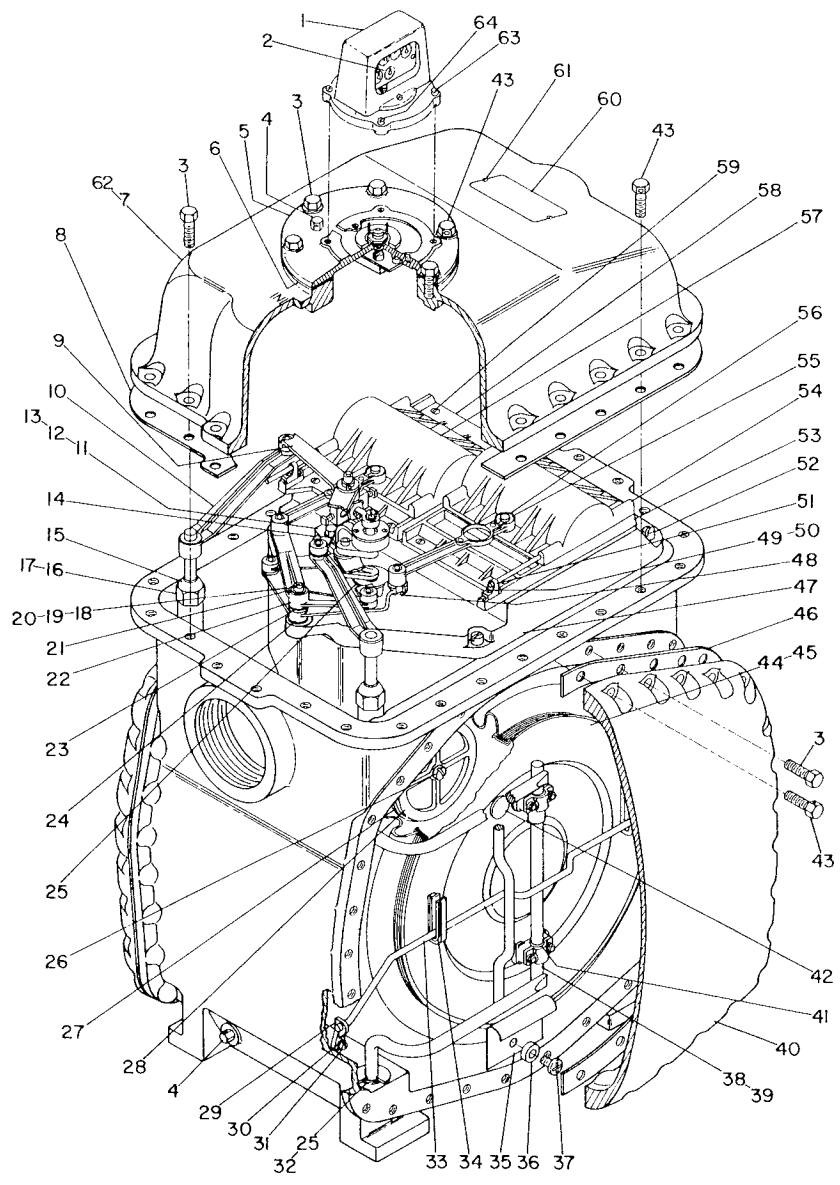


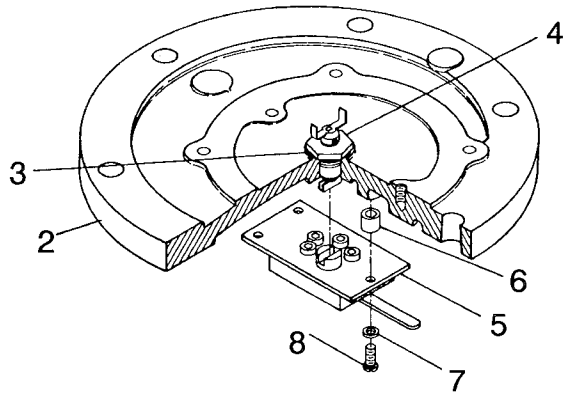
Figure 1

Overall Assembly

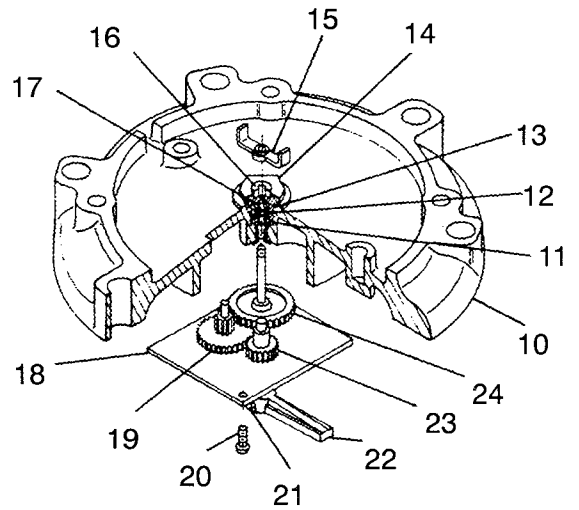
ITEM NO.	DESCRIPTION	QTY PER UNIT	COMMON TO ALL VARIATIONS	PART NUMBER				UNITS USED IN S/N OR MFG DATE		PRODUCT SERIAL NUMBER
				PRODUCT VARIATIONS				FROM	TO	
50	Nut, Hex — Use with item # 59	4	50611P004							
51	Guide, Valve	4	43597P001							
52	Screw, Fil Head	10	13348P136							
			3/8"-16x1.25"							
53	Seat, Valve Front Durafil	1	39451P051							
54	Valve, Front with Durafil Wrist	1	28873G061							
55	Retainer, Valve with Durafil Wrist	2	92943P061							
56	Arm, Valve	2	17318G005							
57	Valve, Back with Durafil Wrist	1	28873G062							
58	Seat, Valve Back Durafil	1	39451P052							
59	Screw Durafil Seat	8	13519P268							
			Round Head # 12-24x0.44"							
60	Badge, Mfgr. Standard	1	49036P017							
			Metric 49036P090							
61	Screw, Drive	AR	02197P001							
			# 4x0.19"							
62	Plug, Thermowell 3/4" NPT	1	25783P020							
			1" NPT 25783P016							
63	Screw, Fil Head, Sealing	2	10347P061							
			# 18-18x0.875"							
64	Screw, Fil Head	2	10347P060							
			# 18-18x0.875"							

See Figure 1.

Handhole Plate Assemblies



**1**  
**Old Style**



**9**

Figure 2

Integral Handhole Plate Gearing Assembly Repair Kits		
	Integral HHP PN	Kit PN
10 FT <sup>3</sup>	54871G029	54871K018
100 FT <sup>3</sup>	54871G030	54871K019
1.0m <sup>3</sup>	54871G031	54871K020

Handhole Plate Assemblies

Item No.	Description	Qty Per Unit	Common To All Variations	Part Number				Units Used in S/N or MFG Date		Product Serial Number
				Product Variations				From	To	
1	Handhole Plate Assembly (Includes Items 2-8)	1	42549G012							
2	Plate, Handhole	1	05655P033							
3	Washer, Axle Box	1	25456P002							
4	Box, Axle Assembly	1	38689G018							
5	Undergear Assembly	1	44327G001							
6	Spacer	3	12673P098							
7	Lockwasher	3	44099P003							
8	Screw, Round Head	3	13519P064 #8-32x0.62"							
9	Integral Handhole Plate Assembly (Includes Items 9-24)	1	54871G029					10/93		
								10/93		
								10/93		
10	Handhole Plate	1	05655G025							
11	Spring	1	20104P118							
12	Ferrule	1	37594P001							
13	Washer	1	59050P014							
14	Cap	1	58010P019							
15	Wriggler	1	16233P012							
16	Bushing	1	31609P039							
17	Teflon Packing	1	37593P001							
18	Lower Plate Assembly	1	42547G097							
19	Intermediate Pinion	1	55886P032							
20	Round Head Screw	1	39314P013							
21	Spirol, Pin	1	43435P022							
22	Driving Bar	1	18271P014							
23	Initial Pinion	1	59304P923							
24	Output Shaft	1	55886G031							

See Figure 2.

Crank, Crank Frame and Tangent Assemblies

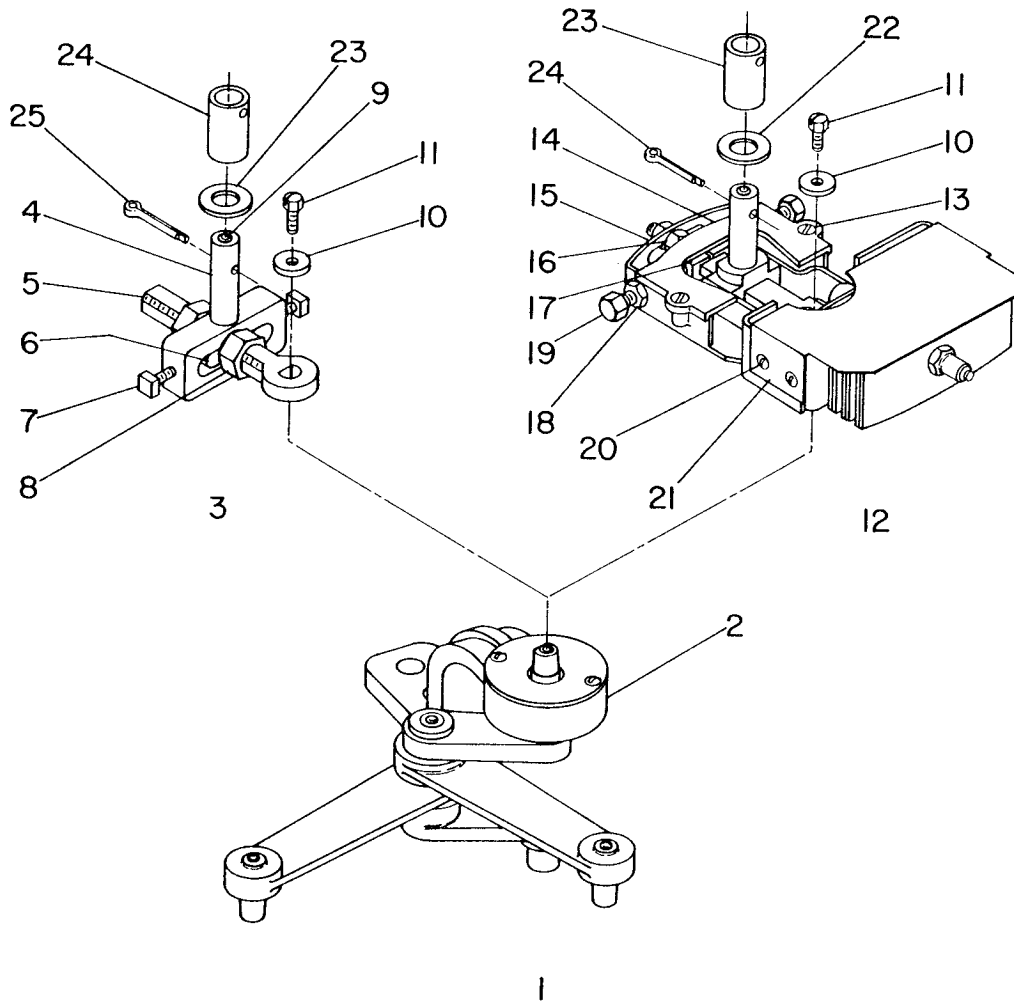


Figure 3.

Crank, Crank Frame and Tangent Assemblies

ITEM NO.	DESCRIPTION	QTY PER UNIT	COMMON TO ALL VARIATIONS	PART NUMBER				UNITS USED IN S/N OR MFG DATE		PRODUCT SERIAL NUMBER
				PRODUCT VARIATIONS				FROM	TO	
1	Crank, Crank Frame Regular and Tangent (Includes Items 7-11) T.C.	1	25050G045							
			25050G048							
2	Crank and Crank Frame Assembly	1	25050G070							
3	Tangent, Adjustable --- Assembly (Includes Items 4-9)	1	41191G019							
4	Wrist, Tangent	1	16286P022							
5	Arm, Tangent	1	13642P019							
6	Shoe, Tangent	2	12574P005							
7	Screw, Tangent	2	12575P022							
8	Nut, Tangent	2	16888P023							
9	Cup, Oil	1	12297G002							
10	Washer	1	13981P016							
11	Screw, Hex Head	1	37394P023							
			# 8-32x0.38"							
12	Tangent, Temp. Comp. --- Assembly (Includes Items 13-22)	1	56035G002							
13	Screw, Flat Head	2	02651P015							
			# 6-32x0.25"							
14	Cover	1	50991P002							
15	Case	1	50990P002							
16	Nut, Hex	2	50996P002							
17	Shoe, Tangent	2	12574P006							
18	Nut, Lock	2	56022P003							
19	Screw, Adjusting	2	50999P002							
20	Screw, Round Head	2	13519P180							
			# 5-40x0.25"							
21	Deflector	1	44104P002							
22	Washer, Tangent	1	43250P001							
23	Bushing, Tangent	1	10956P026							
24	Pin, Cotter	1	11186P011							

See Figure 3.



**AMERICAN METER**

300 Welsh Road, Building One • Horsham, PA 19044-2234 • Tel: 215-830-1800 • Fax: 215-830-1890



**CANADIAN METER**

3037 Derry Road, West • Milton, Ontario L9T 2X6 • Tel: 905-878-2361 • Fax: 905-878-5758

**ELSTER  AMCO**