

Repair Parts List

12" GT

June, 1992

AMERICAN 12" GT Gas Turbine Meter

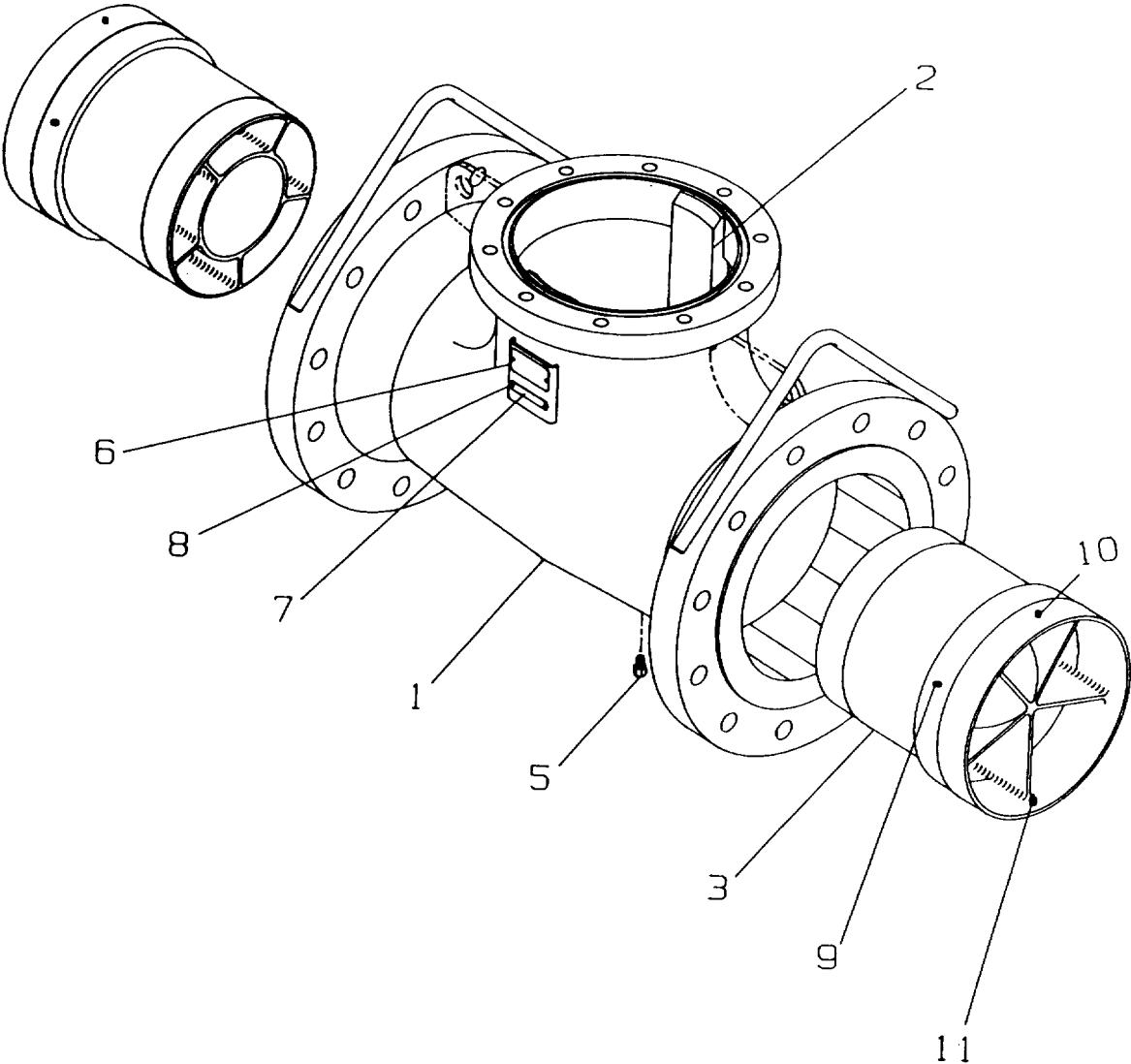


**AMERICAN
METER COMPANY**

Measurement Engineers Since 1836

Housing

RB 4801A



Repair Parts List

**12" GT
Gas Turbine Meter**

Housing

FB 4801A

Item No.	Description	Qty. Per Unit	Common To All Variations	Part Number				Revision Date		Product Serial Number
				Product Variations				From	To	
				175 PSIG	275 PSIG	720 PSIG	1440 PSIG			
1	Housing	1		54542G001	54542G001	54542G002	54542G003			
2	Tape, Seal	1		54572P005	54572P005	54572P005	54572P004			
3	Flo-Guide	2	54538P004							
5	Plug, Pipe	1	11970P022							
6	Badge, Mfg.	1		49036P268	49036P300	49036P269	49036P270			
				49036P412	49036P547	49036P547	49036P547			
7	Badge, Customer - Specity	1	55267P000							
8	Screw, Drive	A.R.	02197P001 4 x .19"							
9	Screw, Set	4	21460P062 1/4"-20 x .75"							
10	Screw, Set	2	21460P075 1/4"-20 x .38"							
11	Screw, Set	2	21460P070 5/16"-18 x .75"							

See Figure 1.

Cartridge Assembly — Instrument Drive

RB 4801A

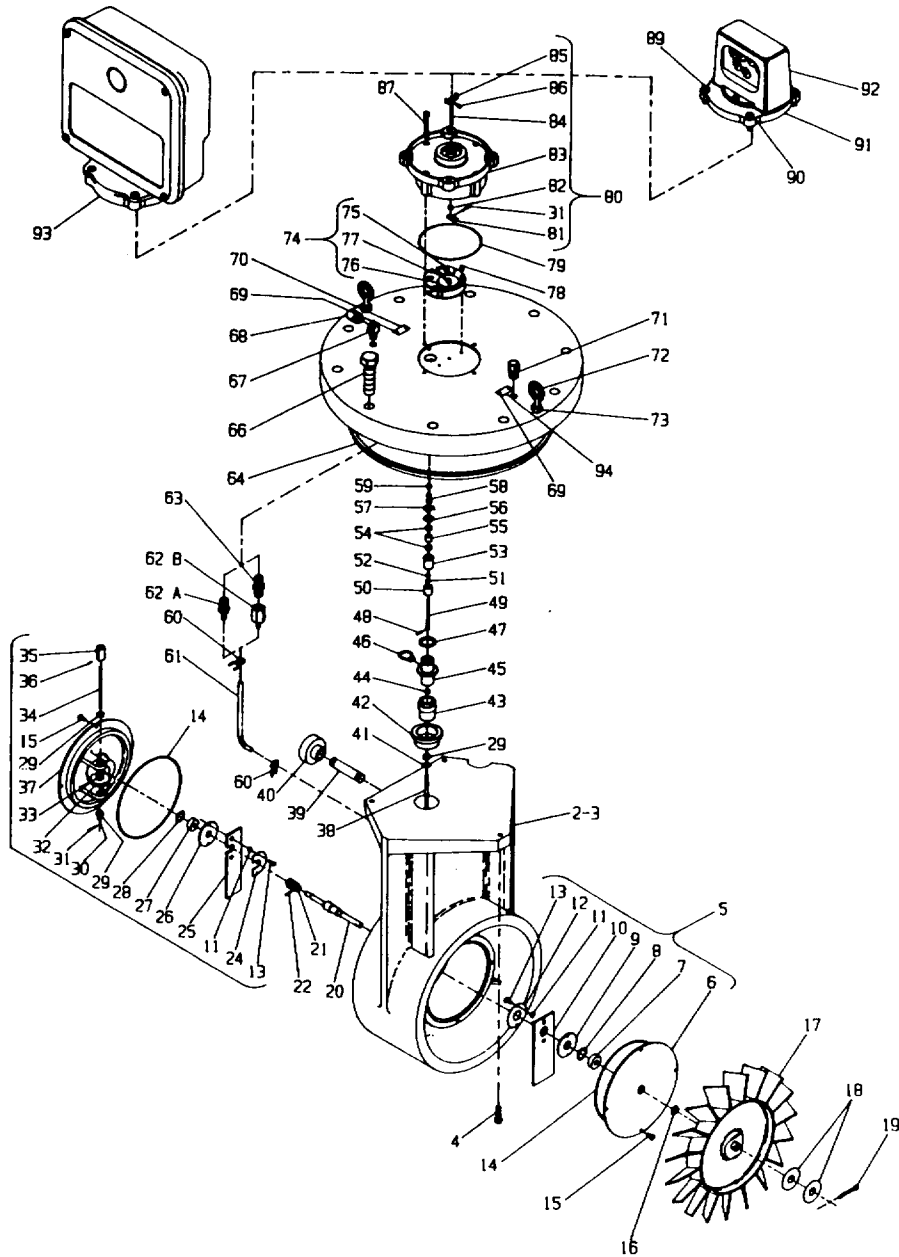


Figure 2

Repair Parts List

**12" GT
Gas Turbine Meter**

Cartridge Assembly – Instrument Drive

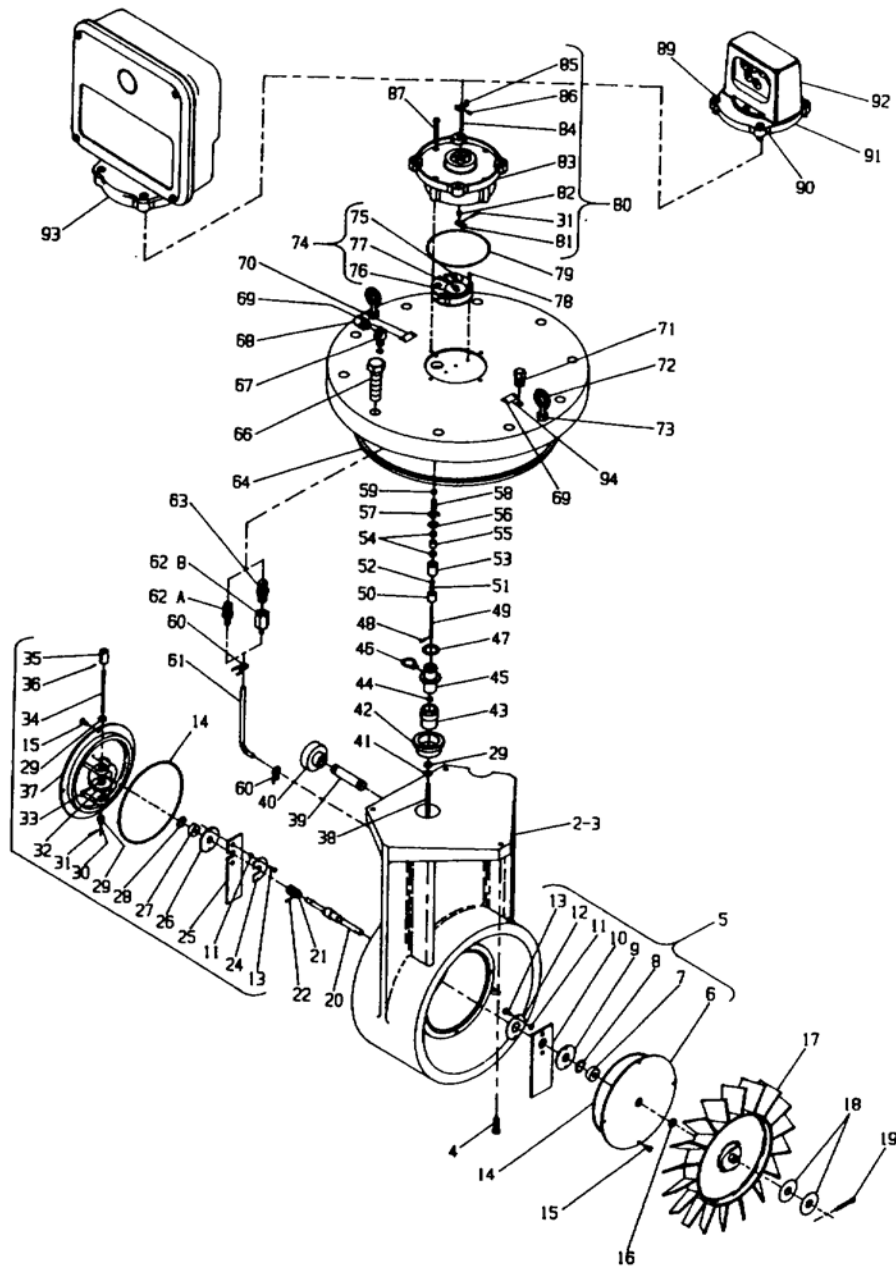
RB 4801A

Item No.	Description	Qty. Per Unit	Common To All Variations	Part Number				Revision Date		Product Serial Number
				Product Variations				From	To	
				175 PSIG	275 PSIG	720 PSIG	1440 PSIG			
1	Cartridge Assembly	1		54776G015	54776G028	54776G016	54776G017			
				54776G022	54776G030	54776G023	54776G024			
2	Unit, Measuring (Includes items 3 – 65)	1		N/A				12/75		
				54515G008	54515G011	54515G007	54515G008	12/75		
3	Housing, Measuring Unit	1		N/A				12/75		
				54508G001					12/75	
4	Screw, Hex. Head	3		16423P031						
				1/4"-20 x .88"						
5	Housing, Rotor End (Includes items 6 – 13)	1		54894G002	54894G002	54894G002	54894G003			
6	Cover, Housing - Rotor End	1		54894P002	54894P002	54894P002	54894P001			
7	Bearing, Ball	1		56085G057	56085G057	56085G057	56085G056			
8	Washer, Spring	1		55233P007	55233P007	55233P007	55233P008			
9	Cover, Bearing -Rotor End	1	54834P001							
10	Felt, Lubrication - Rotor End	1	54833P002							
11	Bushing	4	56185P006							
12	Cover, Lubrication - Rotor End	1	54835P001							
13	Screw, Pan Head	4		43393P039						
				4-40 x .44"						
14	O-Ring	2	42710P025							
15	Screw, Pan. Head	8		43393P012						
				8-32 x .38"						
16	Spacer, Rotor	1		54940P002	54940P002	54940P002	54940P001			
17	Rotor Assembly Shipped with items 18 & 19	1	54511G001							
18	Washer	2	17614P146							
19	Pin, Cotter	1	11186P035							
20	Shaft, Rotor	1		56187P078	56187P078	56187P078	56178P083			
21	Worm	1	58108P091							
22	Pin, Spiral	1	90394P012							
23	Housing, Gear End (Includes items 11, 13, 24 – 37)	1	54894G001							
24	Cover, Lubrication - Gear End	1	54835P002							
25	Felt, Lubrication - Gear End	1	54833P001							
26	Cover, Bearing - Gear End	1	54834P002							
27	Bearing, Ball	1	56085G088							
28	Washer, Spring	1	55233P008							
29	Bearing, Ball	3	56085G021							
30	Washer	1	17614P118							
31	Pin, Cotter	2	11186P027							
32	Gear, Worm	1	12753P004							
33	Pin, Cotter	1	11186P030							
34	Shaft, Worm Gear	1	56305P005							
35	Coupling, Drive	1	55926P004							
36	Pin, Spiral	1	43435P020							
37	Cover, Housing - Gear End	1	54894P003							
38	Shaft, Drive-Assembly	1		56936G002	56936G002	56936G003	56936G004			

See Figure 2.

Cartridge Assembly — Instrument Drive

RB 4801A



Repair Parts List

**12" GT
Gas Turbine Meter**

Cartridge Assembly — Instrument Drive

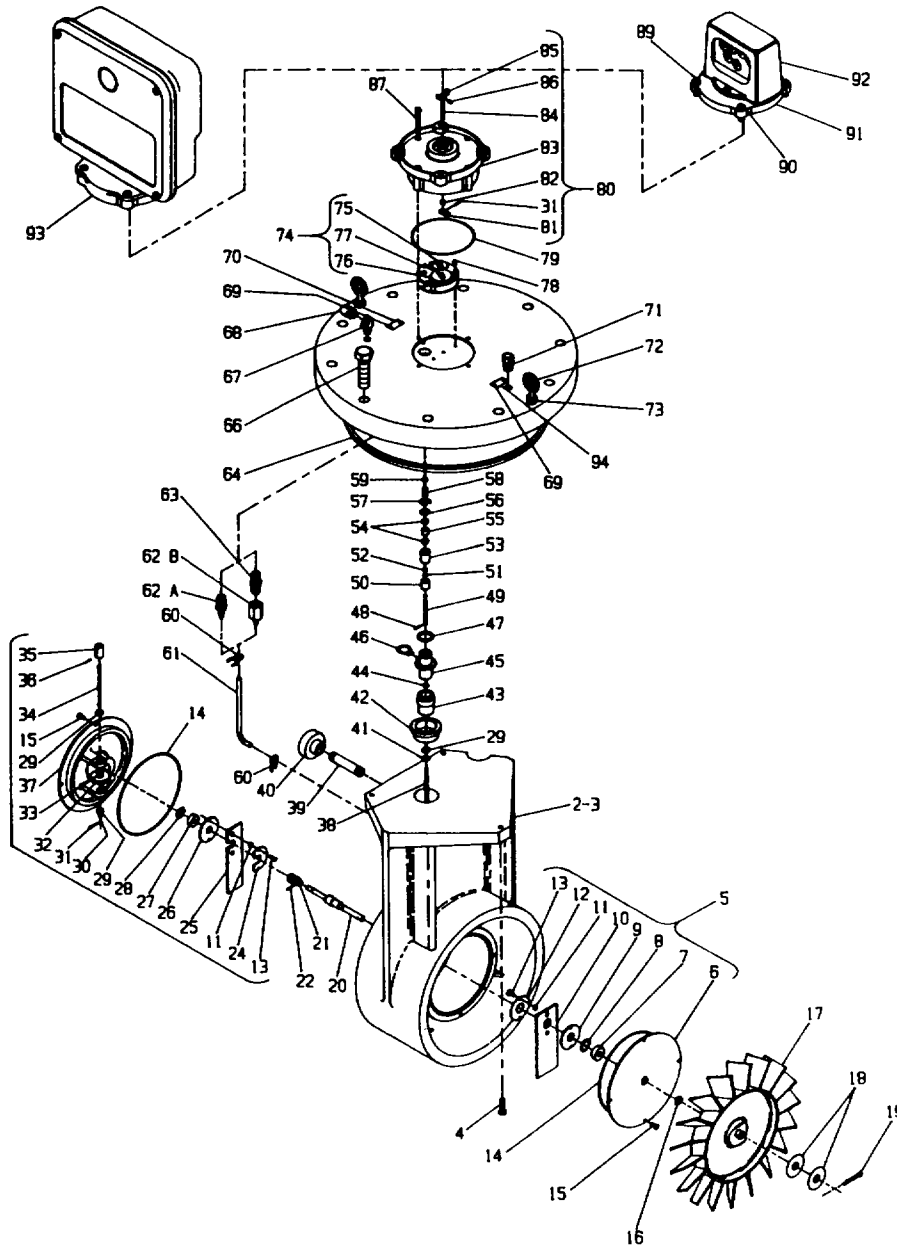
RB 4801A

Item No.	Description	Qty. Per Unit	Common To All Variations	Part Number				Revision Date		Product Serial Number
				Product Variations				From	To	
				175 PSIG	275 PSIG	720 PSIG	1440 PSIG			
39	Nipple, Pipe	1	94355P005							
40	Breather	1	54535G002							
41	Ring, Retaining	1	82943P074							
42	Housing, Magnet	1		55920P007	55920P007	55920P008	55920P009			
43	Magnet & Holder Assembly	1	55921G004							
44	Nut, Stop	1	55606P005 5-40							
45	Shield, Magnet	1	55935P007							
46	Ring, Retaining	1	92943P075							
47	O-Ring	1	42710P081							
48	Pin, Spiral	1	43435P007							
49	Shaft, Magnet	1	56187P077							
50	Magnet	1	26318P011							
51	Ring, Retaining	1	92943P039							
52	Bushing	1	56185P007							
53	Holder, Bearing	1	54509P005							
54	Bearing, Ball	2	56085G042							
55	Bushing	1	10956P071							
56	Washer	1	39610P244							
57	Ring, Retaining	1	92943P076							
58	Pinion, 8T	1	59304P939							
59	Nut, Stop	1	55606P004 4-40							
60	Clamp, Plastic Tube	2	52168P001							
61	Tube, Plastic	1	43594P030							
62	Connecting, Tube	A B		93081P011						
63	Valve, Check	1			93081P012	93081P012	93081P012			
64	O-Ring (Furnished with item 1)	1	42710P112		40324G019	40324G019	40324G019			
65										
66	Screw, Hex. Head	10 12		02860P034	02860P037					
67	Elbow, Lubrication	1	43280P020			02488P020	02753P008			
68	Fitting, Lubrication	1	02876G002			3/4"-10x 3.25"	1-1/8"-7x4.00"			
69	Screw, Drive	A.R.	02197P006 0 x .19"							
70	Badge, Inlet	1	26777P1000							
71	Plug, Pipe	2	11970P022							
72	Eye Bolt	2		12353P002	12353P002	12353P003	12353P003			
73	Nut, Hex	2		3/8"	3/8"	7/16"	7/16"			
				22032P052	22032P052					
				3/8"-16"	3/8"-16"					

See Figure 2.

Cartridge Assembly — Instrument Drive

RB 4801A



IGMO0301

Figure 2

Repair Parts List

**12" GT
Gas Turbine Meter**

Cartridge Assembly — Instrument Drive

RB 4801A

Item No.	Description	Qty. Per Unit	Common To All Variations	Part Number				Revision Date		Product Serial Number	
				Product Variations				From	To		
				175 PSIG	275 PSIG	720 PSIG	1440 PSIG				
74	Train, Gear (Includes items 75-77)	1	54548G014								
			54548G018								
75	Gear, Drive - Specify no. of teeth	1	43354G000								
76	Gear, Driven - Specify no. of teeth	1	43354G000								
77	Pin, Hair Cotter	2	03734P004								
78	Screw, Round Head	3	13519P020								
			6-32 x .25"								
79	O-Ring - Furnished with item 80	1	42710P114								
80	Adapter, Base (Includes items 31 & 81-86)	1	55934G002								
81	Wiggler, Straight	1	15087P022								
82	Spacer	1	35758P014								
83	Adapter, Base	1	48828G001								
84	Shaft	1	42985P029								
85	Wiggler Assembly (Includes item 86)	1	13350G004								
86	Screw, Set	1	21460P069								
			4-40 x .19"								
87	Screw, Fil. Head	4	13348P202								
			10-24 x 1.50"								
88	Screw, Round Head	2	13519P085								
			# 4-40 x .38"								
89	Screw, Fil. Head	2	10347P060								
			18-18 x .88"								
90	Screw, Fil. Head, Sealing	2	10347P061								
			18-18 x .88"								
91	Index Box & Base Plate	1	RPL-3801								
92	Indexes	1	Pointer Type	1000 ft ³							
				10 m ³	10177G001						
					54884G001						
			Odometer	1000 ft ³							
				10 m ³	52212G002						
	Specials			52178G002							
				RPL-3801							
93	Correcting Instruments	1	BPI-II		RPL-6820						
			BVI-CI		RPL-6810						
			BPI-CI		RPL-6830						
			BVI-II		IMP-6726						
			V & P		RPL-6825						
94	Badge Ref. Pm.	1	26777P201								

See Figure 2.

Repair Parts List

**12" GT
Gas Turbine Meter**

Cartridge Assembly Instrument Drive with High Density Pulsar

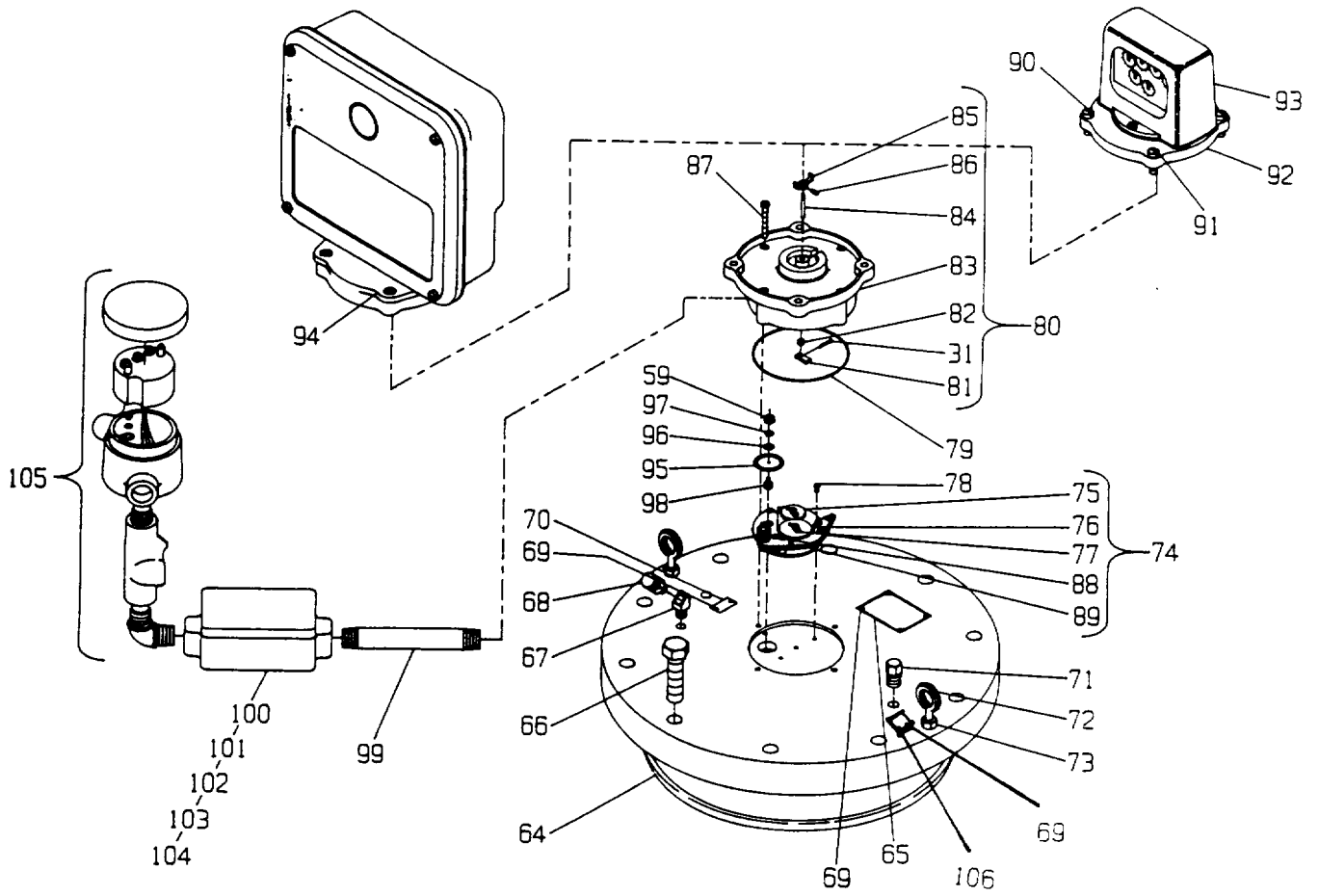
RB 4801A

Item No.	Description	Qty. Per Unit	Common To All Variations	Part Number				Revision Date		Product Serial Number
				Product Variations				From	To	
				175 PSIG	275 PSIG	720 PSIG	1440 PSIG			
31	Pin, Cotter	1	6-32x.25"							
			11186P027							
59	Nut, Stop	1	55606P004							
			4-40"							
64	O-Ring	1	42710P112							
65	Badge, Identification	1	44677P377							
66	Screw, Hex. Head	10		02860P034	02860P037					
				5/8"-11x 2.25"	5/8"-11 x2.25"					
		12			02488P020	02753P008				
					3/4"-10 x3.25"	1-1/8"-7x4.00"				
67	Elbow, Lubrication	1	43280P020							
68	Fitting, Lubrication	1	02876G002							
69	Screw, Drive	A.R.	02197P006							
			0 x .09"							
70	Badge, Inlet	1	26777P100							
71	Plug, Pipe	2	11970P022							
72	Eye Bolt	2		12353P002	12353P002	12353P003	12353P003			
				3/8"	3/8"	7/16"	7/16"			
73	Nut, Hex	1		22032P052	22032P052					
				3/8"-16"	3/8"-16"					
74	Train, Gear (Includes items 75-77, 88, and 89)	1	54548G057							
			54548G058							
75	Gear, Drive - Specify no. of teeth	1	43354G000							
76	Gear, Driven - Specify no. of teeth	1	43354G000							
77	Pin, Hair Cotter	2	03734P004							
78	Screw, Round Head	3	13519P020							
			6-32" x .25"							
79	O-Ring - Furnished with item 80	1	42710P114							
80	Adapter, Base (Includes items 31 & 81-86)	1	55934G007							
81	Wiggler, Straight	1	15087P022							
82	Spacer	1	35758P014							
83	Adapter, Base	1	48828G008							
84	Shaft	1	42985P029							
85	Wiggler Assembly (Includes item 86)	1	13350G004							
86	Screw, Set	1	21460P069							
			4-40 x .19"							
87	Screw, Fil. Head	4	13348P202							
			10-24 x 1.50"							
88	Screw, Round Head	2	13519P085							
			4-40 x .38"							
89	Plate & Switch Assembly	1	52159G010							

See Figure 3.

Cartridge Assembly
Instrument Drive with High Density Pulsar

RB 4801A



Repair Parts List

**12" GT
Gas Turbine Meter**

Cartridge Assembly

RB 4801A

Instrument Drive with High Density Pulsar

Item No.	Description	Qty. Per Unit	Common To All Variations	Part Number				Revision Date		Product Serial Number
				Product Variations				From	To	
				175 PSIG	275 PSIG	720 PSIG	1440 PSIG			
90	Screw, Fil. Head	2	10347P060 18-18 x .88"							
91	Screw, Fil. Head, Sealing	2	10347P061 18-18 x .88"							
92	Index Box & Base Plate	1	RPL-3801							
93	Indexes	Pointer Type	1000 ft ³	10177G001						
			10 m ³	54884G001						
		Odometer	1000 ft ³	52212G002						
			10 m ³	52178G002						
		Specials		RPL-3800						
94	Correcting Instruments	BPI-II	RPL-6820							
		BVI-CI	RPL-6810							
		BPI-CI	RPL-6830							
		BVI-II	IMP-6726							
		V & P	RPL-6825							
95	Disk, Chopper	1	52566P002							
96	Washer	1	13981P024							
97	Lockwasher	1	39738P013							
98	Post, Hex	1	17821P175							
99	Conduit	1	43843P010							
100	Box, Electrical	1	40502P007							
101	Cover, Electrical Box	1	56394P005							
102	Strip, Terminal	1	93515G100							
103	Screw, Fil. Head	2	13348P257							
			2-56 x .75"							
104	Washer	2	17614P149							
105	Barrier/Amplifier Assembly	1	93004G001							
106	Badge Ref. Pm	1	26777P201							

See Figure 3.