



**AMERICAN  
METER COMPANY**  
*Measurement Engineers Since 1836*

**AMC Quality System**  
QMI is Accredited by:



ISO 9001 Certified  
Certificate #006697



Dutch Council  
for Accreditation



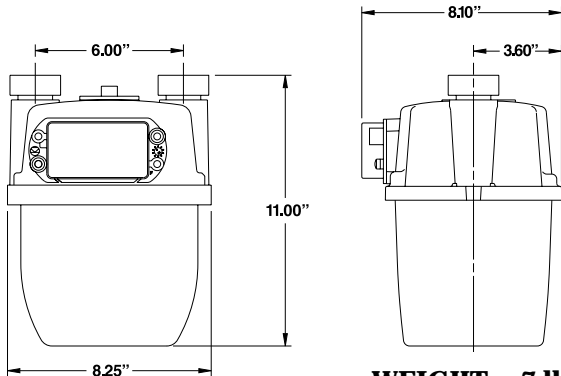
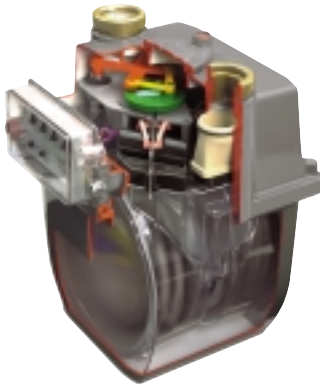
**unique design**

**AR-250**

# AR-250

## FEATURES

- More compact
- Light-weight polymer construction module
- Exclusive convoluted diaphragm
- Efficient valve design
- Temperature compensation available from -30° F to 140° F
- 10 LT, 20 LT, 30 LT and #1 Sprague connection sizes
- Tamper resistant
- 5 PSI MAOP and 250 cfh at 1/2-inch w.c. differential
- Two-piece aluminum case design
- Automatic meter reader compatibility



**WEIGHT = 7 lbs.**

### Reference Materials

Installation Instructions . . . . . AIM-3715  
Repair Parts List . . . . . RPL-3880

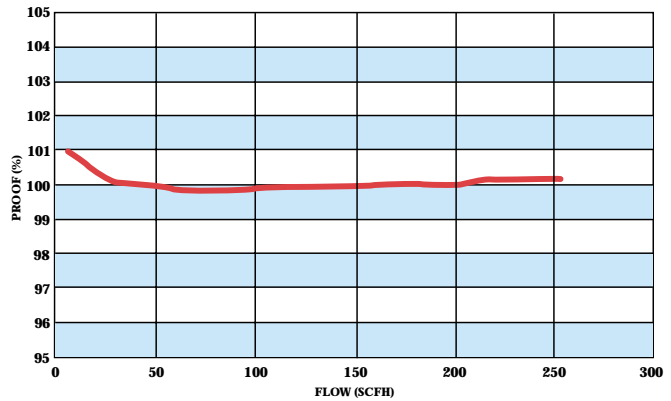
**THE BEST VALUE** in metering now comes in one lightweight package. The AR-250 is your solution, offering cost savings along with great features like easier installation, quality construction, and incredible accuracy. Make the easy choice: AR-250 — the model that's making metering history.

### Rated Gas Capacity For 0.60 S.G. Gas

Inlet Pressure PSIG	Inches W.C. Differential	Capacity SCFH
.25	1/2"	250 <sup>1,2</sup>
.25	2"	565
1	2"	583
2	2"	600
5	2"	656
10	2"	742

1 - Propane - 158 cfh  
2 - Butane - 138 cfh

### AR-250 PROOF CURVE



### Order Information:

Regular or Temperature Compensated: \_\_\_\_\_

U.S. or Metric: \_\_\_\_\_

Size of Connection: \_\_\_\_\_

Type of Index: \_\_\_\_\_

Proof Preference: 100 +/- 1% \_\_\_\_\_

Standard Color - ASA #49 Grey: \_\_\_\_\_

Contact American Meter with any questions or orders at the address and phone number below.



#### American Meter

300 Welsh Road, Building One • Horsham, PA 19044-2234 • USA  
Tel: (215) 830-1800 • Fax: (215) 830-1890



#### Canadian Meter

3037 Derry Road, West • Milton, Ontario L9T 2X6 • Canada  
Tel: (905) 878-2361 • Fax: (905) 878-5758



#### Elster AMCO

300 Welsh Road, Building One • Horsham, PA 19044-2234 • USA  
Tel: (215) 830-1800 • Fax: (215) 830-1894